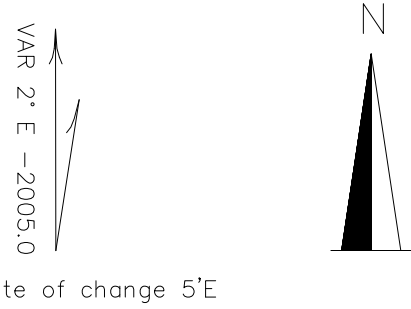


Bearings are magnetic Distances in metres Elevation in ft AMSL Coordinates WGS84			TWR 120.200	
RWY	QFU	THR		bearing strength
04R	040°			PCN>90/F/A/W/T
22L	220°			PCN>90/F/A/W/T
04L	040°	N 45°29'44.86" E 012°20'10.95"	PCN>90/F/A/W/T	
22R	220°	N 45°30'49.35" E 012°21'33.87"		

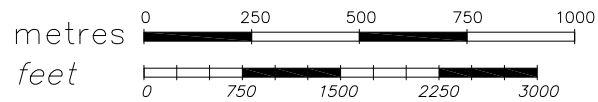
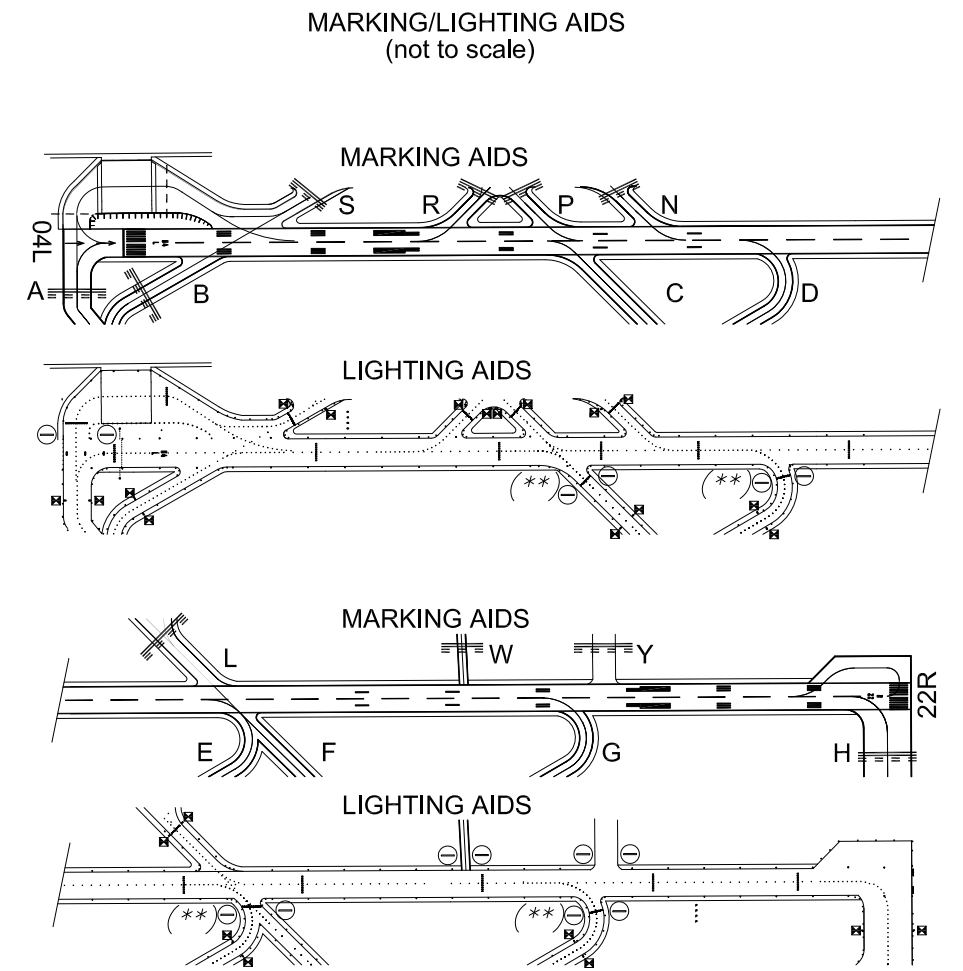
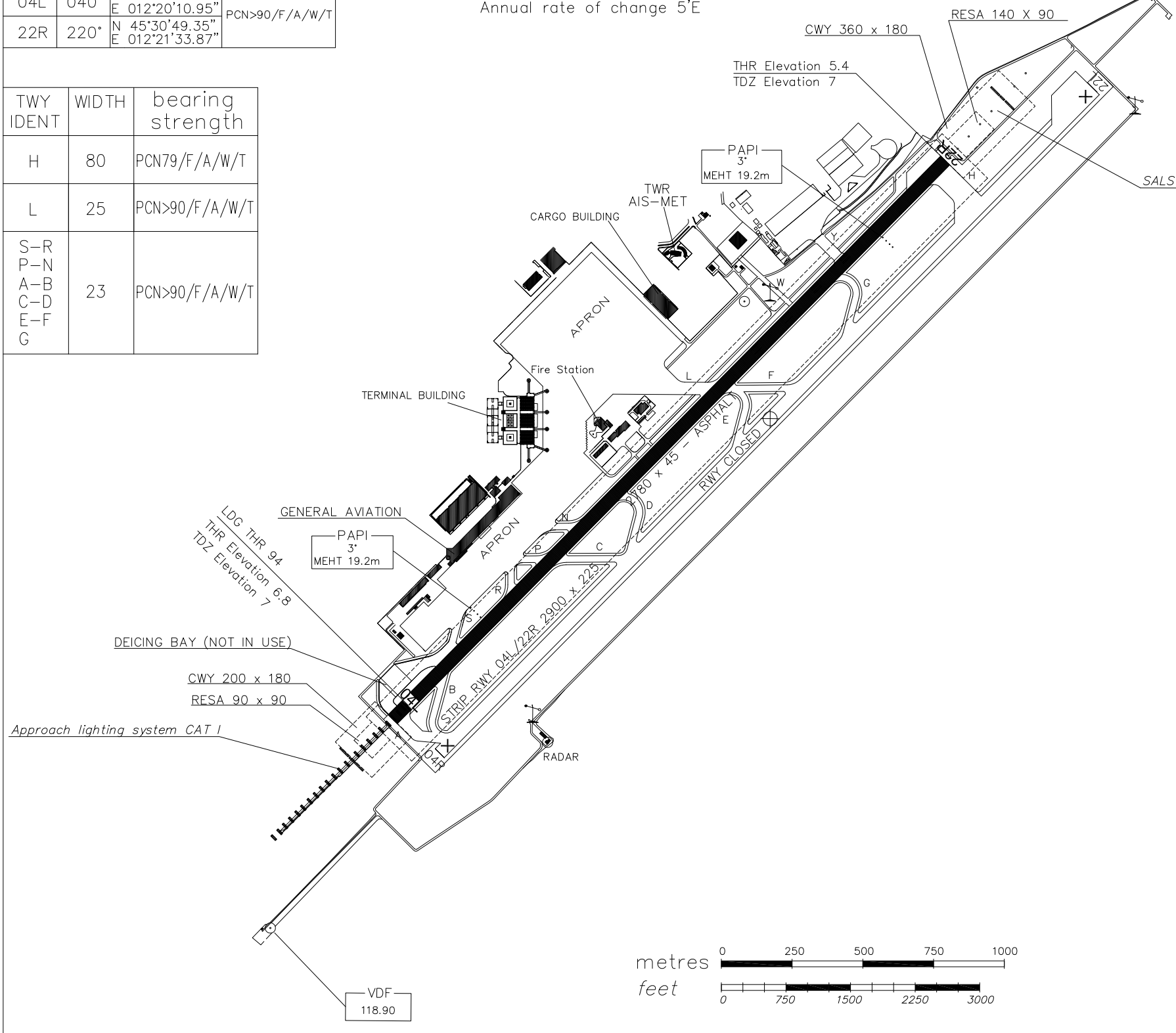
TWY IDENT	WIDTH	bearing strength
H	80	PCN79/F/A/W/T
L	25	PCN>90/F/A/W/T
S-R P-N A-B C-D E-F G	23	PCN>90/F/A/W/T

AD ELEV 7	VENEZIA / TESSERA	
APRON ELEV 7	LIPZ	45°30'19" N 012°21'07" E

AERODROME CONFIGURATION RWY04L/22R  
(SEE AD 2 ITEM 20 LOCAL TRAFFIC REGULATIONS)



CHANGE: RWY and TWY bearing strength



- LEGEND
- (\*) STOP BAR
  - (\*\*) FIXED RED LIGHTS
  - ▣ RGL
  - ⊖ NO ENTRY